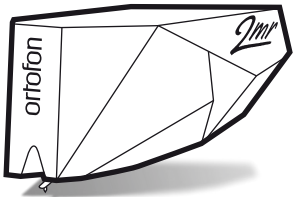


ortofon



accuracy in sound

2mr

Technical specifications

2MR



Model	Red	Blue	Bronze	Black	Black LVB 250	78	Mono
Output voltage at 1 kHz, 5 cm/sec.	5.5 mV	5.5 mV	5 mV	5 mV	5 mV	4 mV	4 mV
Tracking ability at 315 Hz	70 μ m	80 μ m	80 μ m	80 μ m	80 μ m	70 μ m	70 μ m
Compliance, dynamic, lateral	18 μ m/mN	18 μ m/mN	20 μ m/mN	20 μ m/mN	22 μ m/mN	22 μ m/mN	22 μ m/mN
Cantilever material	Aluminium	Aluminium	Aluminium	Aluminium	Boron	Aluminium	Aluminium
Stylus type	Elliptical	Nude Elliptical	Nude Fine Line	Nude Shibata	Nude Shibata	Spherical	Nude Spherical
Recommended tracking force	1.8 g	1.8 g	1.5 g	1.5 g	1.6 g	1.8 g	1.8 g
Load resistance	47 kOhm	47 kOhm	47 kOhm	47 kOhm	47 kOhm	47 kOhm	47 kOhm
Load capacitance	150 – 300 pF	150 – 300 pF	150 – 300 pF	150 – 300 pF	150 – 300 pF	150 – 300 pF	150 – 300 pF
Cartridge weight	6 g	6 g	6 g	6 g	6 g	6 g	6 g
Cartridge height	14 mm	14 mm	14 mm	14 mm	14 mm	14 mm	14 mm

All specs at recommended tracking force

2MR

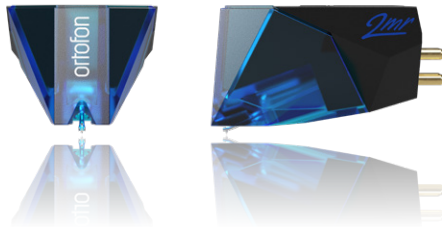
Thank you for choosing an Ortofon 2MR cartridge. The 2MR cartridges are high-performance moving magnet phono cartridges with premium sound reproduction.

At Ortofon, we have been working with sound reproduction since 1918. We developed the first phono cartridge in 1948, and since then, more than 300 different phono cartridges have been developed and manufactured.

The 2MR has been engineered in accordance with the highest industrial standards, matching Ortofon's unrelenting commitment to providing the most precise and accurate sound reproduction possible.

2MR cartridges are engineered for an optimal match with tonearms and turntables in need of low form factor cartridges. All 2M styli fit on all 2MR cartridges.

We hope you will enjoy a premium listening experience with your new 2MR cartridge.



Mounting the 2MR cartridge

1. It is recommended to keep the stylus guard on the stylus when mounting or dismounting the unit.
2. Connect the tonearm lead wires to the cartridge, following the color coding of the terminal pins for correct connection (Fig. 1).

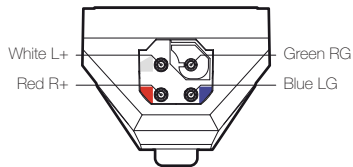
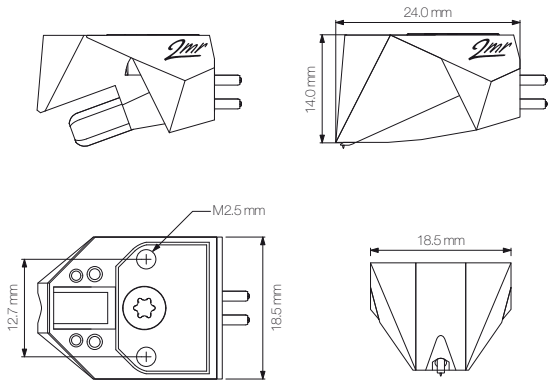


Fig. 1

3. Secure the cartridge to the tonearm using a pair of screws enclosed in the packaging. Avoid overtightening the screws, as they may become stuck in the threaded holes of the mounting plate.
4. Adjust the tracking force to the recommended value stated in the technical specifications.
5. Adjust the anti-skating according to the record player's manual.



Stylus guard

Remove the stylus guard before use by holding at the front and rear of the guard and gently pressing the rear while tilting it downwards (Fig. 2-3).

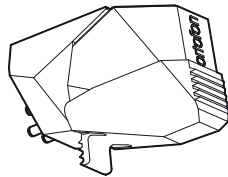


Fig. 2

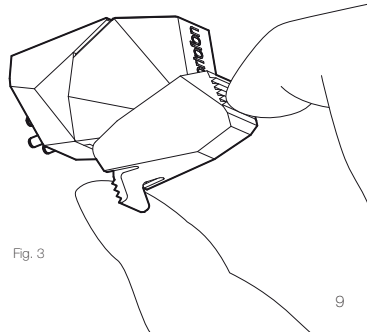


Fig. 3

Stylus care and maintenance

To obtain optimal sound reproduction, remove dust from the stylus regularly by using a stylus brush (Fig. 4).

Please do not use propyl alcohol (or any other cleaning fluids) to clean the product as this may cause damage to the product.

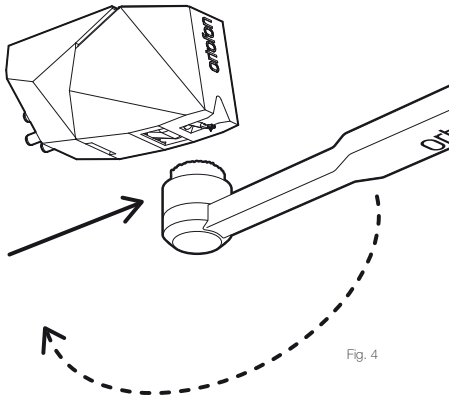
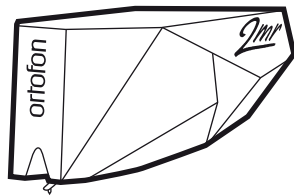


Fig. 4

Warning

The product is a phono cartridge only intended for mounting on tonearms, it must not be used for any other purposes.



2MR



Scan and follow the QR code for setup information (www.ortofon.com/support).

ortofon
accuracy in sound

Ortofon A/S | Stavangervej 9 | DK-4900 Nakskov
support@ortofon.dk | www.ortofon.com