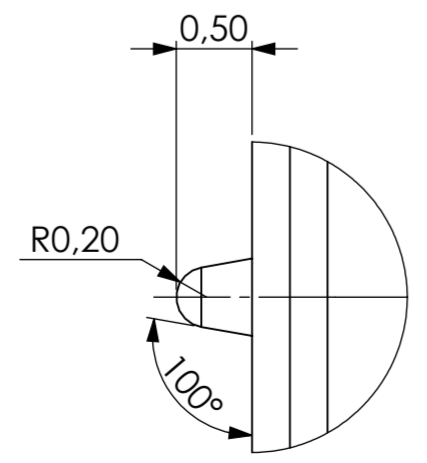


DETAIL C
SCALE 50 : 1



DETAIL D
SCALE 20 : 1

NOTE:
Materials
Black brominebutyl/Neoprene 25 shore A - Item No. 5000051
Transparent Silicone 25 shore A - Item No. 5000052