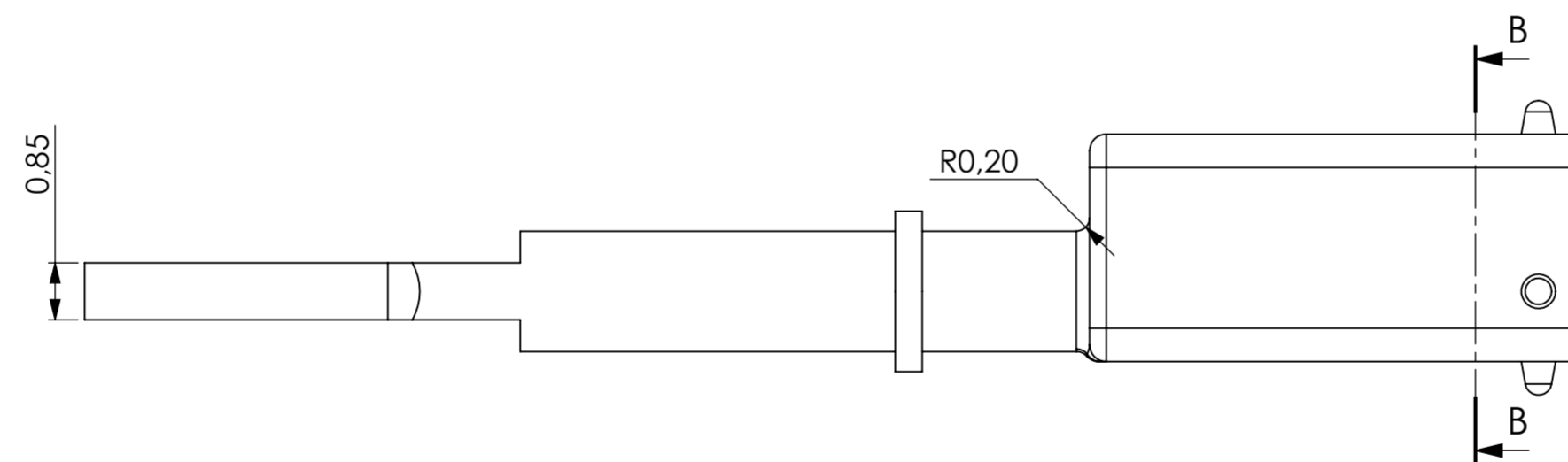
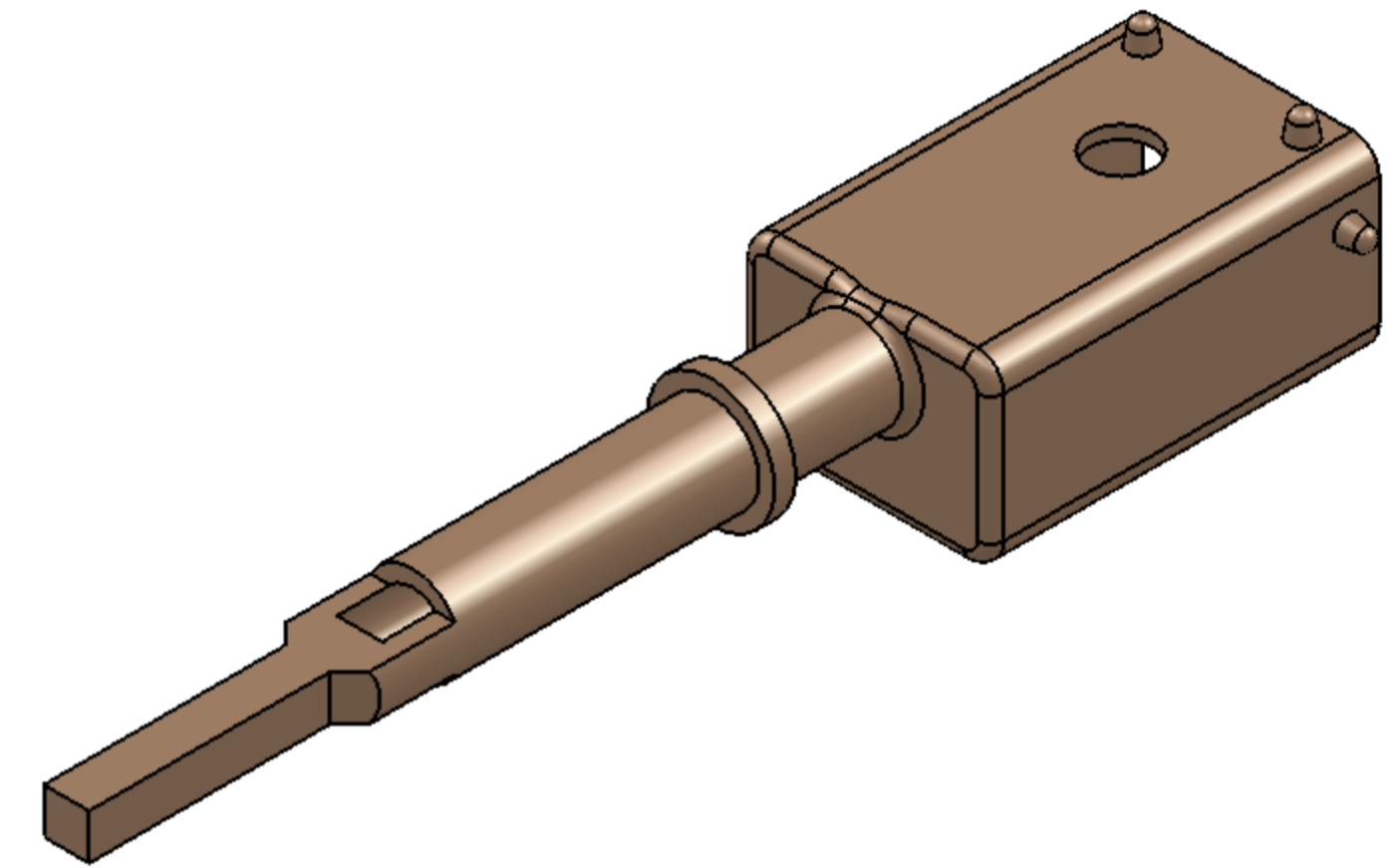
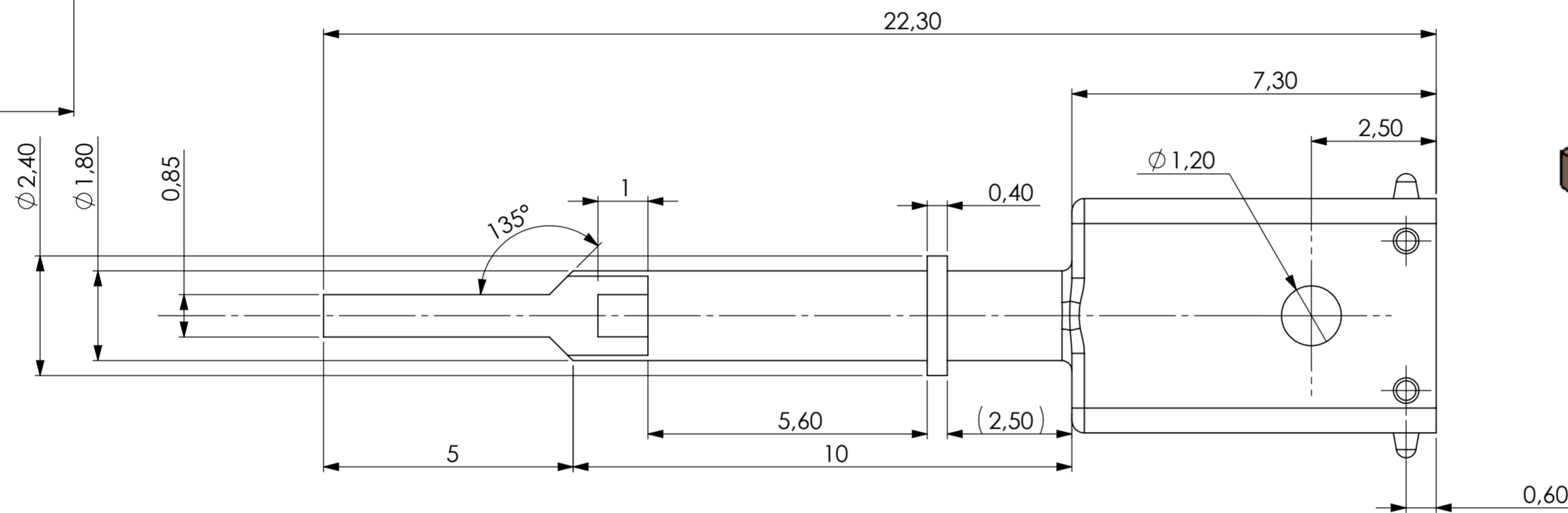
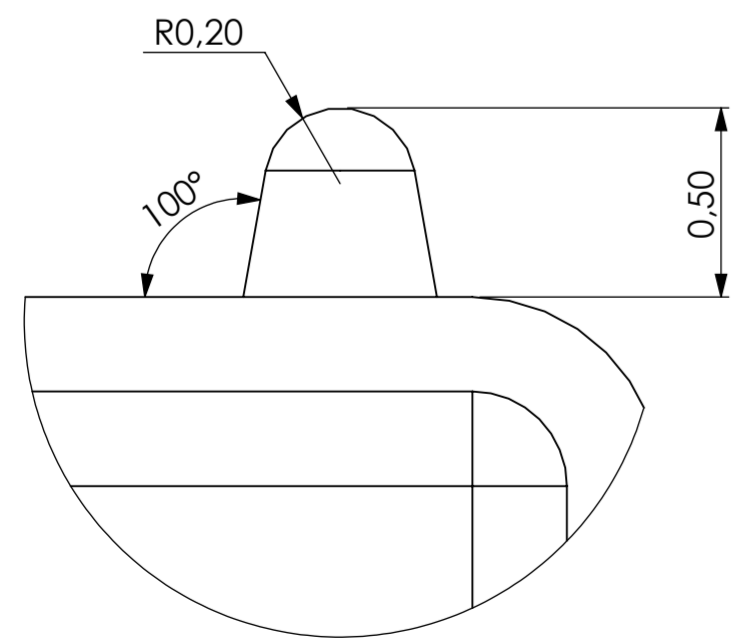
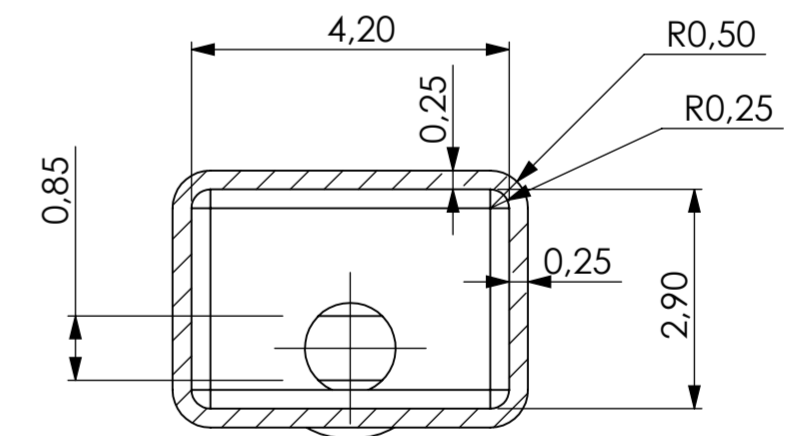


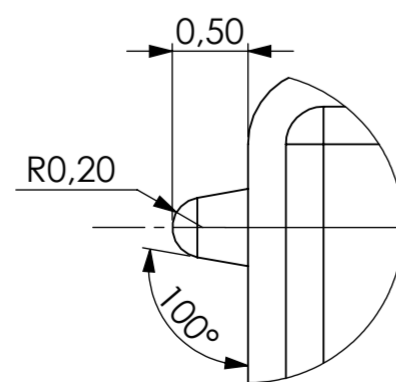
SECTION A-A



SECTION B-B



DETAIL C
SCALE 50 : 1



DETAIL D
SCALE 20 : 1

NOTE:

Materials

Black brominebutyl/Neoprene 25 shore A - Item No. 5000061
Transparent Silicone 25 shore A - Item No. 5000062

ortofon microtech

Drawing No:

1-500006-12