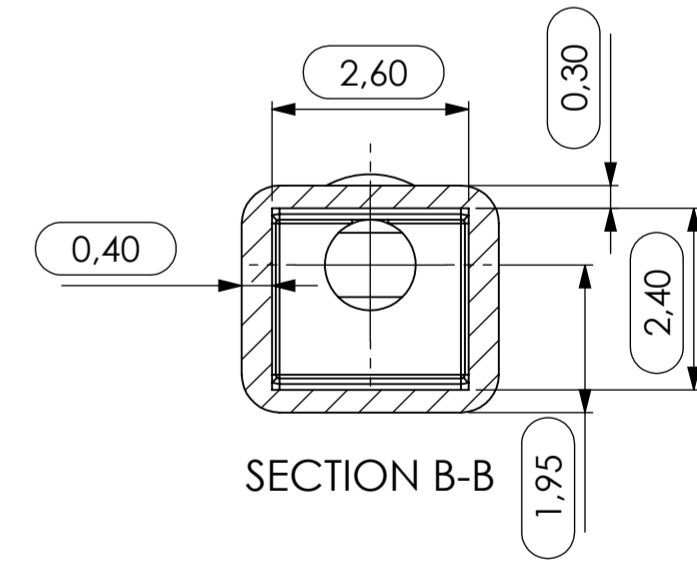
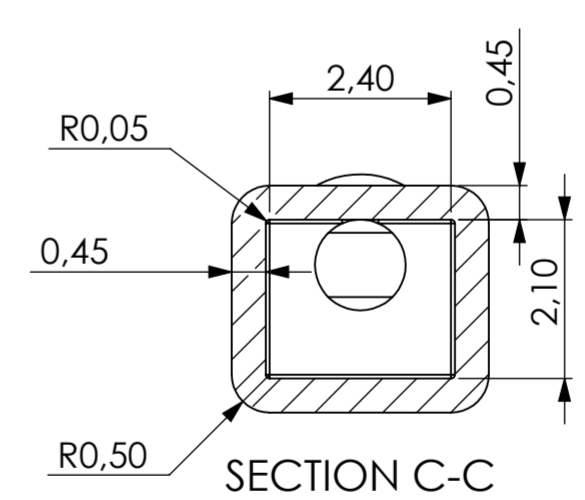
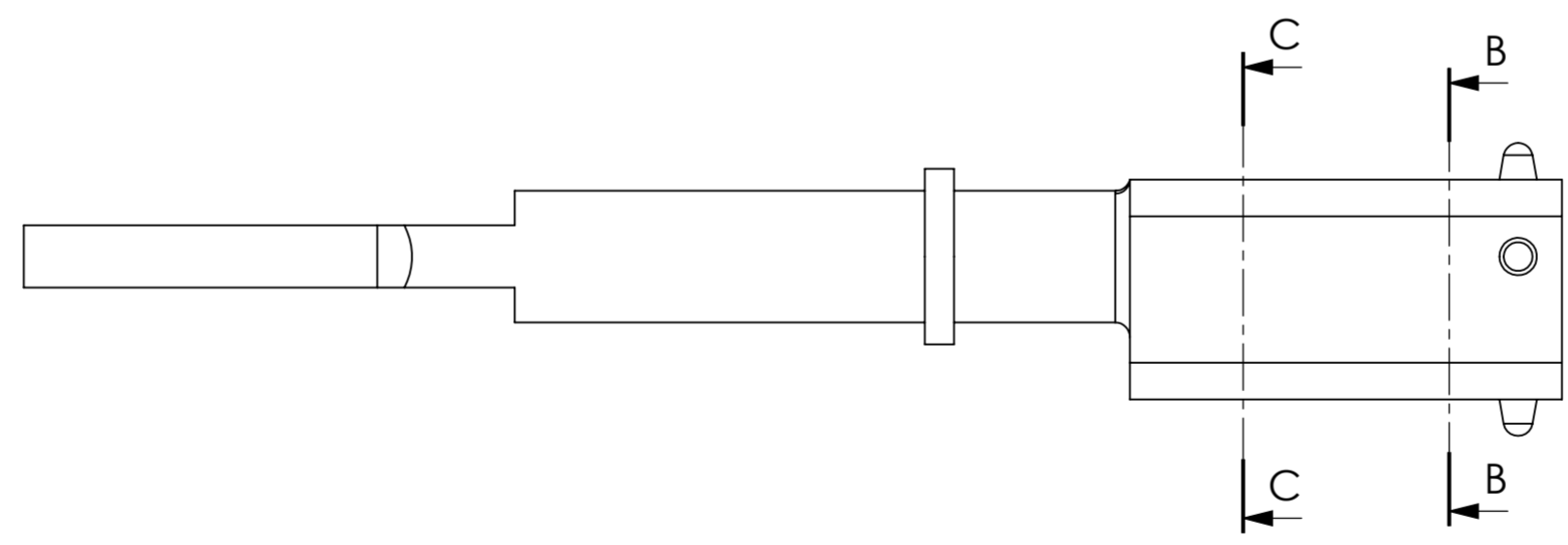


DETAIL E
SCALE 50 : 1



NOTE:
Materials
Black brominebutyl/Neoprene 25 shore A - Item No. 5000071
Transparent Silicone 25 shore A - Item No. 5000072